

Horizontal Multistage Stainless Steel Pump

Applications

- It is applicable to household water supply, equipment support, pipeline pressurization, garden watering, vegetable greenhouse watering, fish farming and poultry raising, industrial and mining, water supply and drainage of enterprises and high-rise buildings, central air conditioner and centralized heating circulation system, etc.

Application Limits

- Max. liquid temperature: +85°C
- Altitude: Up to 1000 Meter
- Max. suction: 8 Meter
- Max. inlet pressure: limited by max. operating pressure
- Max. operating pressure: 10 bar
- Liquid PH value: 4-10

Performance Range

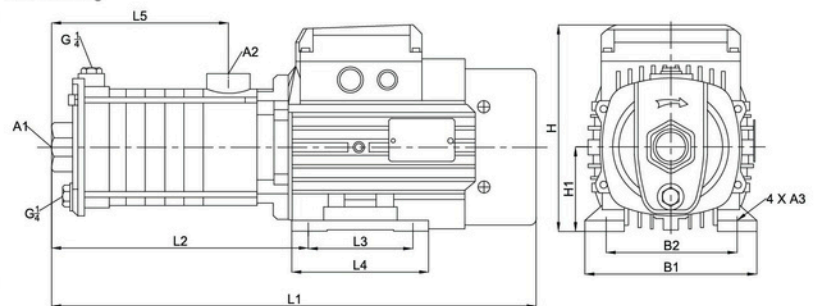
- Flow : Up to 28m³/hr
- Head : Up to 58 Meter

Motor Details

- Motor winding: 100% copper
- Insulation class: F
- Protection class: IP55
- Max. ambient temperature: +40°C
- 2 Pole induction motor
- Power : 0.37KW to 2.2KW
- Speed : 2900 RPM
- Duty : Continues S1
- Anti-heat ball bearing
- Environment temperature capacity 65°C
- Thermal overload protector in single phase motor



G.A. Drawing



Pump Selection Chart

MODEL (CAST IRON)	MODEL (STAINLESS STEEL)	Power		PHASE	INLET/ OUTLET	Max. Flow (LPM)	Max. Head (m)	Max. Suction (m)	GW (Kg)
		KW	HP						
TECH-HMP2-30	TECH-HMPSS2-30	0.37	0.5	1 phase	1" x 1"	60	27	8	12
TECH-HMP2-60	TECH-HMPSS2-60	0.75	1				54		15

Pump Dimension

MODEL (CAST IRON)	MODEL (STAINLESS STEEL)	L1	L2	L3	L4	L5	B1	B2	H	H1	A1	A2	A3
TECH-HMP2-30	TECH-HMPSS2-30	362.5	183.5	90.0	110.0	116.5	137.0	109.0	176.5	71.0	G1"	G1"	ø7
TECH-HMP2-60	TECH-HMPSS2-60	417.5	238.5	90.0	110.0	171.5	137.0	109.0	176.5	71.0	G1"	G1"	ø7

Performance Chart

MODEL (CAST IRON)	MODEL (STAINLESS STEEL)	Power		Q	H Meters													
		KW	HP		US GPM	0	2.6	5.3	7.9	10.6	13.2	15.9						
TECH-HMP2-30	TECH-HMPSS2-30	0.37	0.5	M ³ /H	0	0.6	1.2	1.8	2.4	3.0	3.6	27	24	22	20	18	16	12
				LPM	0	10	20	30	40	50	60							
TECH-HMP2-60	TECH-HMPSS2-60	0.75	1	H Meters	54	50	45	40	36	30	23	54	50	45	40	36	30	23