

Sewage Water Pump

Applications

- Industrial & Residential Building
- Mining
- Civil engineering
- Pumping Sewage from domestic, hotel, school and public building

Application Limits

- Water temperature up to 40°C
- PH : 6.5 to 8.5
- Density of liquid : 1.3g/cm³
- Ambient temperature : up to 40°C

Feature and Benefits

- Non-clogging double vane impeller can pump large solid cover full range of head.
- Chrome plated shaft ensure high corrosion resistant and wear resistance.
- Designed for pumping sewage, waste water, rainwater and living water containing solid grains, various fabric, sludge and solid.

Installation and Use

This model of pump is characterized with high heads, compact size, light weight and convenient use and vastly used in high-position water delivery, flush and places as construction sites. The float switch can automatically control on and off with the change of the water level. The protection in the motor can automatically cut off the power when it overheats or over current.

Performance Range

- Capacity : Up to 25 m³/hr
- Head : Up to 20 Meters
- Speed : 2900 RPM
- Power : 0.37 - 1.5KW

Motor Details

- 2 Pole Motor
- Insulation class : F
- Motor protection : 1.5kw Built in
- Protection class : IP68
- Duty : S1
- Power Rating : 0.37 -1.5KW
- Power supply : 220v-240v, 50Hz
- Cable Length: 10 Meters
- Motor winding: 100% copper



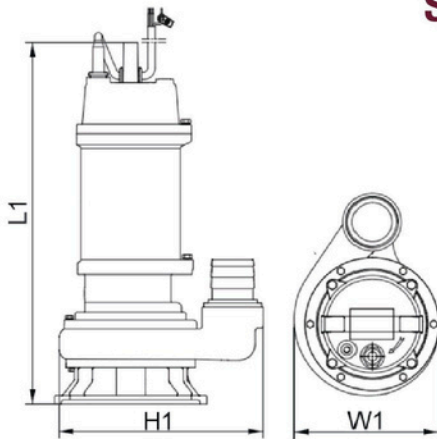
TECH-SP7-9-0.37F



TECH-SP10-12-0.75F, TECH-SP15-10-1.1F

TECH-SP15-15-1.5F

Sewage Water Pump



Dimension

Model	L1	W1	H1	Outlet	N.W	G.W
	mm	mm	mm	inch	kg	kg
TECH-SP7-9-0.37F	424	144	200	1.25	11	11.5
TECH-SP10-12-0.75F	430	180	255	2	16.6	18.6
TECH-SP15-10-1.1F	450	180	255	2	17.1	19.1
TECH-SP15-15-1.5F	450	180	255	2	18.1	20.1

Pump Selection Chart

Model	Power		Voltage	Speed (RPM)	Outlet (Inch)	Guide Rail	Rated		Maximum	
	KW	HP					Flow M3/h	Head Mtr	Flow M3/h	Head Mtr
TECH-SP7-9-0.37F	0.37	0.5	220-240V	2900	1.25	NO	4.5	5	9	8
TECH-SP10-12-0.75F	0.75	1			2	NO	9	11	18	12
TECH-SP15-10-1.1F	1.1	1.5			2	NO	10	12	22	17
TECH-SP15-15-1.5F	1.5	2			2	NO	11	14	24	20

PERFORMANCE CHART

Model	Power		Q	US GPM	0	13	26	39	52	65	78	91	104	117	130
	KW	HP		M ³ /H	0	3	6	9	12	15	18	21	24	27	30
				LPM	0	50	100	150	200	250	300	350	400	450	500
TECH-SP7-9-0.37F	0.37	0.5	Head (m)	8	7	5	3								
TECH-SP10-12-0.75F	0.75	1		12	11	10	8	6	4	2					
TECH-SP15-10-1.1F	1.1	1.5		17	15	13	11	9	7	5	3				
TECH-SP15-15-1.5F	1.5	2		20	18	16	14	12	10	8	6	4			

